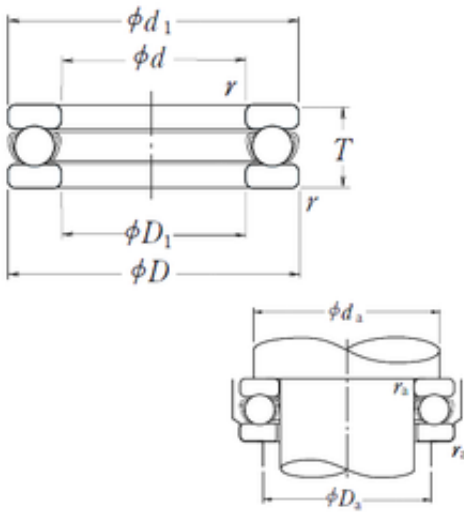




Bearing Rolamentos do Brasil Ltda.



21313CCK Self Aligning Roller Bearing 65X140X33mm

Bearing No. 51212

Size	60x95x26 mm
Bore Diameter	60 mm
Outer Diameter	95 mm
Width	26 mm
d	60 mm
D	95 mm
T	26 mm
d1	95 mm
r min.	1 mm
D1	62 mm
da min.	81 mm
Da max.	74 mm
ra max.	1 mm
Weight	0,673 Kg
Basic dynamic load rating (C)	71,5 kN
Basic static load rating (C0)	169 kN
(Grease) Lubrication Speed	2000 r/min
Category	Thrust Ball Bearing
Inventory	0.0
Manufacturer Name	NSK
Minimum Buy Quantity	N/A
Weight / Kilogram	0.69
EAN	0029176062315
Product Group	B00308
Rolling Element	Ball Bearing

51212 Bearing 2D drawings and 3D CAD models



Bearing Rolamentos do Brasil Ltda.

Thrust Bearing	Yes
Single or Double Direction	Single Direction
Banded	No
Cage Material	Steel
Precision Class	Non-Precision
Component Description	Roller Assembly Plus Raceways
Other Features	Single Row With Flat Seat
Long Description	60MM Bore 1; 62MM Bore 2; 95MM Outside Diameter; 26MM Height; Ball Bearing; Single Direction; Not Banded; Steel Cage; Non-Precision
Inch - Metric	Metric
Category	Thrust Ball Bearings
UNSPSC	31171552
Harmonized Tariff Code	8482.10.50.08
Noun	Bearing
Keyword String	Ball Thrust
Manufacturer URL	http://www.nskamericas.com
Manufacturer Item Number	51212
Weight / LBS	1.48371
Overall Height with Aligning Washer	0 Inch 0 Millimeter
Bore 1	2.362 Inch 60 Millimeter
Outside Diameter	3.74 Inch 95 Millimeter
Height	1.024 Inch 26 Millimeter
Bore 2	2.441 Inch 62 Millimeter
bore diameter:	60 mm
thrust bearing type:	Single-Direction
outside diameter:	95 mm
manufacturer upc number:	029176062315
overall width:	26 mm



Bearing Rolamentos do Brasil Ltda.

SRI	6.85
hidYobi	51212
LangID	1
D_	95
SREX	0.05
C	71.5
B_	26
hidTable	ecat_NSSDTB
Oil rpm	3000
SRE	6.85
mass	0.673
GRS rpm	2000
ra	1
SRIX	0.05
D_a	74
SRIN	0
C0	169
SREN	0
D_1	62
Prod_Type3	TB_SD_WFS
da	81
DA_	12.7
Z_	17
yobi	51212
SDM_	77.5
r	1
T_	26
KBRG	5111