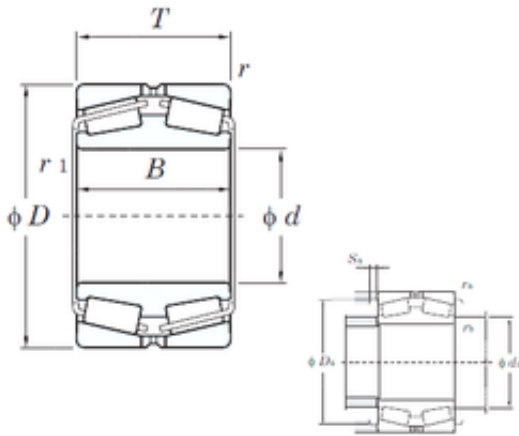




## Bearing Rolamentos do Brasil Ltda.

400 mm x 600 mm x 148 mm 1209TN1 Self-aligning Ball Bearing 45x85x19mm



Bearing No. 45280

45280 Bearing 2D drawings and 3D CAD models

Size	400x600x148 mm
Bore Diameter	400 mm
Outer Diameter	600 mm
Width	148 mm
d	400 mm
D	600 mm
T	148 mm
B	148 mm
r min.	5 mm
r1 min.	6 mm
da max	452 mm
Db min.	545 mm
ra max.	4 mm
rb max.	5 mm
Db max	578 mm
Weight	143 Kg
Basic dynamic load rating (C)	2410 kN
Basic static load rating (C0)	4960 kN
(Grease) Lubrication Speed	340 r/min
(Oil) Lubrication Speed	450 r/min
Calculation factor (e)	0,33
Calculation factor (Y0)	1,98
Category	Tapered Roller Bearings
Inventory	0.0
Manufacturer Name	KOYO



## Bearing Rolamentos do Brasil Ltda.

Minimum Buy Quantity	N/A
UNSPSC	31171527
Weight / Kilogram	0.998
EAN	0605790032547
Product Group	B04334
Precision Class	Standard
Component	Cone
Basic Number	45280
Number of Tapered Rows	Single Row
Inch - Metric	Inch
Long Description	Cone; Standard Precision; 45280 Basic Number; 1-3/4" Bore; 1-7/32" Width; Single Row of Rollers
Bore	1.75 Inch   44.45 Millimeter
Width	1.219 Inch   30.963 Millimeter
Outside Diameter	0 Inch   0 Millimeter
Flange Outside Diameter	0 Inch   0 Millimeter
Bearing No.	45280
r(min)	5
r1(min)	6
Cr	3020
C0r	4960
Cu	239
Grease lub.	340
Oil lub.	450
da(max)	452
Da(max)	578
Da(min)	545
Sa(min)	6
ra(max)	4
rb(max)	5



## Bearing Rolamentos do Brasil Ltda.

e	0.33
Y2	2.03
Y3	3.02
Y0	1.98
(Refer.)Mass(kg)	143