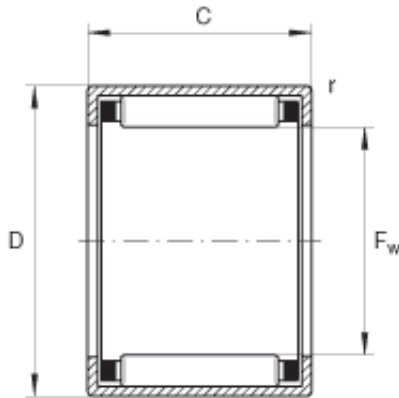




## Bearing Rolamentos do Brasil Ltda.



### SMF106ZZ Bearing

Bearing No. HK0808

Size	8x12x8 mm
Bore Diameter	8 mm
Outer Diameter	12 mm
Width	8 mm
$F_w$	8 mm
D	12 mm
C - 8 mm / Tolerance: -0,3	8 mm / Tolerance: 0,3
$r_{min}$	0,4 mm
m	2,7 g / Weight
$C_r$	2750 N / Dynamic load rating (radial)
$C_{or}$	2600 N / Static load rating (radial)
$C_{ur}$	290 N / Fatigue limit load, radial
$n_G$	29500 1/min / Limiting speed
$n_B$	21800 1/min / Reference speed
Category	Needle Non Thrust Roller Bearings
Inventory	0.0
Manufacturer Name	SCHAEFFLER GROUP
Minimum Buy Quantity	N/A
Weight / Kilogram	0.02
EAN	4012802595932
Product Group	B04144
Rolling Element	Needle Roller Bearing

HK0808 Bearing 2D drawings and 3D CAD models



## Bearing Rolamentos do Brasil Ltda.

Component	Roller Assembly with Outer Ring - No Inner Ring
Enclosure	Open
Self Aligning	No
Retainer	Yes
Number of Rows of Rollers	Single Row
Separable	No
Closed End	No
Inch - Metric	Metric
Relubricatable	No
Thrust Bearing	No
Long Description	8MM Bore; 12MM Outside Diameter; 8MM Width; Needle Roller Bearing; Roller Assembly with Outer Ring - No Inner Ring; Open; Not Self Aligning; Retainer; Single Row of Rollers; Not Separable; Not Closed
Other Features	2 Rib Outer Ring   Drawn Cup Bearing   Steel Cage
Category	Needle Non Thrust Roller Bearing
UNSPSC	31171512
Harmonized Tariff Code	8482.99.65.30
Noun	Roller Assembly with Outer Ring
Keyword String	Bearing Needle
Manufacturer URL	<a href="http://www.ina.com">http://www.ina.com</a>
Manufacturer Item Number	HK0808
Weight / LBS	0.006
Outside Diameter	0.472 Inch   12 Millimeter
Width	0.315 Inch   8 Millimeter
Bore	0.315 Inch   8 Millimeter