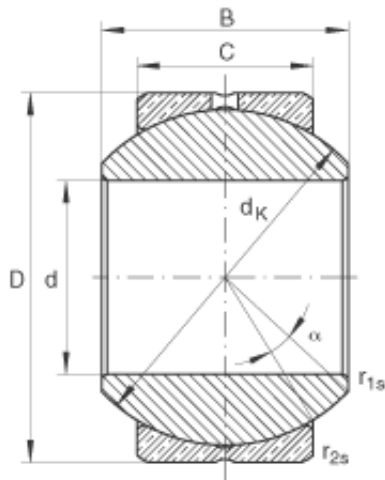




## Bearing Rolamentos do Brasil Ltda.



GE18-PB Bearing 2D drawings and 3D CAD models

### RB11015UUC0 High Precision Cross Roller Ring Bearing

Bearing No. GE18-PB

Size	18x35x23 mm
Bore Diameter	18 mm
Outer Diameter	35 mm
Width	23 mm
C	16,5 mm
$D_{a \min}$	28,5 mm
$d_{a \max}$	21,8 mm
$d_k$	31,75 mm
$r_{1s \min}$	0,3 mm
$r_{2s \min}$	0,3 mm
alf ( ° )	15
Weight (kg)	0,1
$C_r$ (N)	26200
$C_{0r}$ (N)	65500
Category	Spherical Plain Bearings - Radial
Inventory	0.0
Manufacturer Name	SCHAEFFLER GROUP
Minimum Buy Quantity	N/A
Weight / Kilogram	0.12
EAN	4012802533293
Product Group	B04264
Self Aligning	Yes
Rolling Element	Spherical Plain
Material - Outer Member	Steel



## Bearing Rolamentos do Brasil Ltda.

Material - Ball	Steel
Material - Liner	Bronze
Relubricatable	Yes
Enclosure	Open
Other Features	3 Piece
Long Description	18MM Bore; 16.5MM Housing Width; 35MM Outside Diameter; Spherical Plain; Steel Outer Member; Steel Ball; Bronze Liner; 23MM Overall Width; Relubricatable
Inch - Metric	Metric
Category	Plain Bearings Spherical Radial
UNSPSC	31171515
Harmonized Tariff Code	8483.30.80.70
Noun	Bearing
Keyword 3	Spherical
Keyword String	Plain Spherical Radial
Manufacturer URL	<a href="http://www.ina.com">http://www.ina.com</a>
Manufacturer Item Number	GE18PB
Weight / LBS	0.221
Housing Width	0.65 Inch   16.5 Millimeter
Overall Width	0.906 Inch   23 Millimeter
Bore	0.709 Inch   18 Millimeter
Outside Diameter	1.378 Inch   35 Millimeter