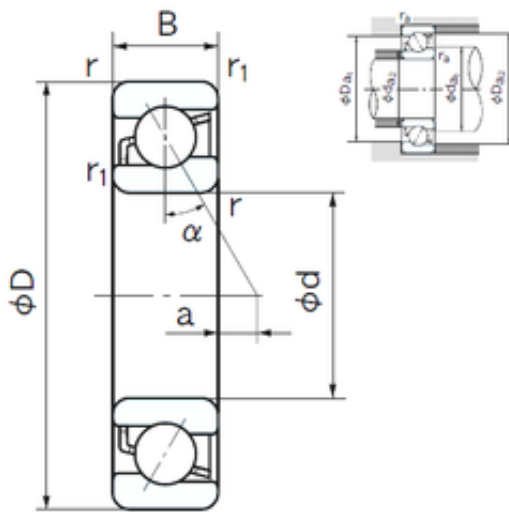




Bearing Rolamentos do Brasil Ltda.



100 mm x 215 mm x 47 mm
5.1594mm/0.2031inch Bearing Steel Ball

Bearing No. 7320

7320 Bearing 2D drawings and 3D CAD models

Size	100x215x47 mm
Bore Diameter	100 mm
Outer Diameter	215 mm
Width	47 mm
d	100 mm
D	215 mm
B	47 mm
C	47 mm
Angle (°)	30 °
a	22.0 mm
r min.	3 mm
r1 min.	1.1 mm
da min.	114 mm
Da max.	201 mm
ra max.	2.5 mm
Weight	8.18 Kg
Basic dynamic load rating (C)	207 kN
Basic static load rating (C0)	190 kN
(Grease) Lubrication Speed	2800 r/min
Configuration	Single Row
Enclosure	Open
Bore Type	Cylindrical Bore
Bore Size	100 mm
Outside Diameter	215 mm
Width	47 mm



Bearing Rolamentos do Brasil Ltda.

Fillet Radius/Chamfer	3 mm
r1	1.1 mm
Dynamic Load Rating	207,000 N
Static Load Rating	190,000 N
Limiting Speed - Grease	2,800 rpm
Limiting Speed - Oil	3,800 rpm
da1 (min)	114 mm
da2 (min)	107 mm
Da1 (max)	201 mm
Da2 (max)	208 mm
ra (max)	2.5 mm
ra1 (max)	1 mm