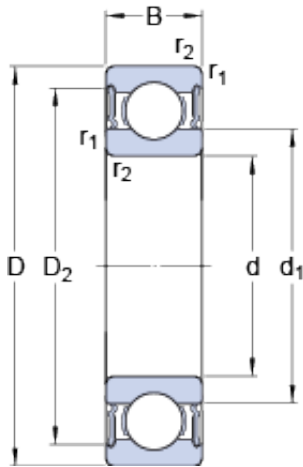




Bearing Rolamentos do Brasil Ltda.



6306-2RS1 Bearing 2D drawings and 3D CAD models

30 mm x 72 mm x 19 mm VBT17Z-4
Automotive Steering Bearings 40mm × 11mm

Bearing No. 6306-2RS1

Size	72x30x19 mm
Bore Diameter	72 mm
Outer Diameter	30 mm
Width	19 mm
d	30 mm
D	72 mm
B	19 mm
d ₁	44.6 mm
D ₂	61.88 mm
r _{1,2} - min.	1.1 mm
d _a - min.	37 mm
d _a - max.	44.5 mm
D _a - max.	65 mm
r _a - max.	1 mm
Basic dynamic load rating - C	29.6 kN
Basic static load rating - C ₀	16 kN
Fatigue load limit - P _u	0.67 kN
Limiting speed	6300 r/min
Calculation factor - k _r	0.03
Calculation factor - f ₀	13.1
Category	Single Row Ball Bearings
Inventory	0.0
Manufacturer Name	SKF
Minimum Buy Quantity	N/A



Bearing Rolamentos do Brasil Ltda.

Weight / Kilogram	0.365
Product Group	B00308
Enclosure	2 Seals
Precision Class	ABEC 1 ISO P0
Maximum Capacity / Filling Slot	No
Rolling Element	Ball Bearing
Snap Ring	No
Internal Special Features	No
Cage Material	Steel
Enclosure Type	Contact Seal
Internal Clearance	C0-Medium
Inch - Metric	Metric
Long Description	30MM Bore; 72MM Outside Diameter; 19MM Outer Race Diameter; 2 Seals; Ball Bearing; ABEC 1 ISO P0; No Filling Slot; No Snap Ring; No Internal Special Features
Category	Single Row Ball Bearing
UNSPSC	31171504
Harmonized Tariff Code	8482.10.50.68
Noun	Bearing
Keyword String	Ball
Manufacturer URL	http://www.skf.com
Manufacturer Item Number	6306-2RS1
Weight / LBS	0.82
Outer Race Width	0.748 Inch 19 Millimeter
Outside Diameter	2.835 Inch 72 Millimeter
Bore	1.181 Inch 30 Millimeter
d ₁	44.6 mm
D ₂	61.88 mm
r _{1,2} min.	1.1 mm



Bearing Rolamentos do Brasil Ltda.

d_a min.	37 mm
d_a max.	44.5 mm
D_a max.	65 mm
r_a max.	1 mm
Basic dynamic load rating C	29.6 kN
Basic static load rating C_0	16 kN
Fatigue load limit P_u	0.67 kN
Calculation factor k_r	0.03
Calculation factor f_0	13.1
Mass bearing	0.36 kg